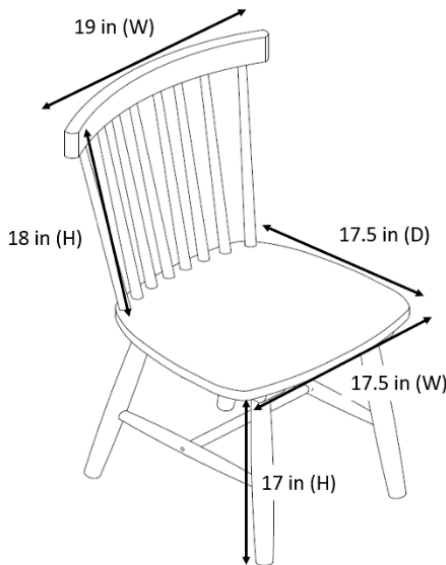


Recall Information

StyleWell Wood Windsor Dining Chairs (set of 2)

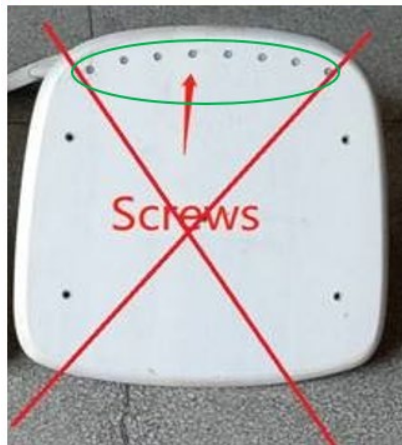
Recall Date: February 25, 2021

Product Description	UPC	Model #	Internet #	Online SKU #
StyleWell Unfinished Wood Windsor Dining Chair (Set of 2)	6929020061317	C-08	309136660	1004226440
StyleWell Chili Red Wood Windsor Dining Chair (Set of 2)	6929020061232	C-08-1	309136679	1004226441
StyleWell White Wood Windsor Dining Chair (Set of 2)	6929020061027	C-08-2	309136673	1004226442
StyleWell Black Wood Windsor Dining Chair (Set of 2)	6929020061225	C-08-3	309136668	1004226443



Not impacted by recall - chair includes screw holes and wood screws in chair base

Recalled chairs are missing screw holes and wood screws in chair base



Name of Product: StyleWell Wood Windsor Dining Chairs (set of 2)

Hazard: The chair's back can detach, posing a fall hazard to consumers.

Remedy: Refund.

Consumers should immediately stop using the chairs and inspect to determine if they are impacted by this recall. Only chairs without screw holes and wood screws on the underside of the chair seat base are included in this recall.

Click here: [Refund Request Form](#)

Consumer Contact: Home Depot at 800-466-3337 Option #2 from 8 a.m. to 8 p.m. ET Monday through Friday and 8 a.m. to 6 p.m. ET Saturday or online at www.homedepot.com and click on Product Recalls for more information.